

RDSRF-232-T24FZ-LR-SMA/CA  
RS232 to RF User Configurable in 2.4 GHz  
User Manual

***Reindeer Technologies Pvt Ltd***

*Excellence through Innovation*

S-2, Old No. 15, New No. 31  
Rajamannar Street, T Nagar,  
Chennai – 600017  
India.

## Document Revision History

Revision No.	Date	Description/Changes
1.0	26/2/2011	Initial Release

## Table of Contents

<b>1 OVERVIEW .....</b>	<b>4</b>
<b>2 FEATURES.....</b>	<b>5</b>
<b>3 APPLICATIONS.....</b>	<b>5</b>
<b>4 CONNECTION DETAILS.....</b>	<b>6</b>
<b>5 THEORY OF OPERATION .....</b>	<b>7</b>
5.1 RECEIVE MODE .....	7
5.2 TRANSMIT MODE .....	7
<b>6 DATA HANDLING IN RDSRF-232-T24FZ-LR-SMA/CA.....</b>	<b>8</b>
<b>7 TIME DELAY CALCULATIONS.....</b>	<b>8</b>
7.1 EXAMPLE 1:.....	8
7.2 EXAMPLE 2:.....	9
7.3 GENERAL EQUATION FOR CALCULATING TIME DELAY: .....	9
<b>8 USER CONFIGURATION MODE.....</b>	<b>10</b>
<b>9. ORDERING INFORMATION .....</b>	<b>12</b>
<b>10 ELECTRICAL SPECIFICATIONS .....</b>	<b>13</b>
<b>11 ACCESSORIES.....</b>	<b>13</b>
<b>12. CONTACT US .....</b>	<b>14</b>
12.1 TECHNICAL SUPPORT .....	14
12.2 SALES SUPPORT .....	14

## 1 Overview

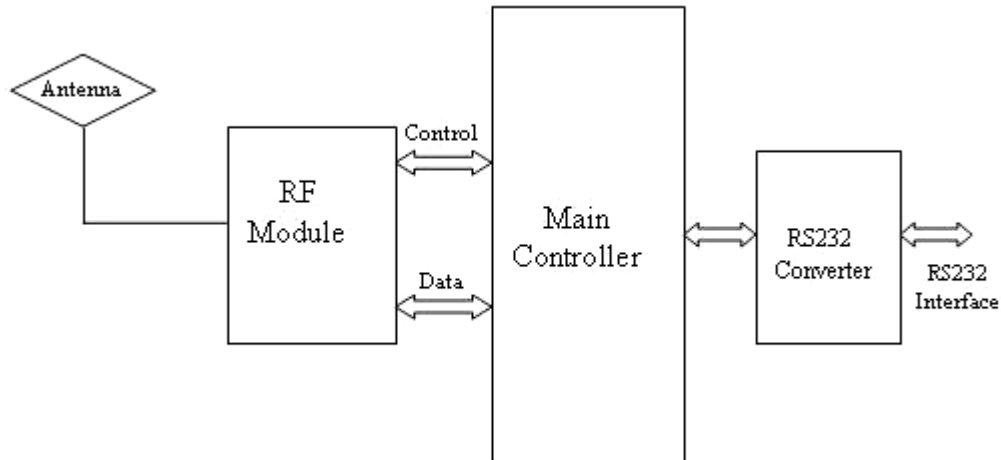


Figure 1: RDSRF-232-T24FZ-LR-SMA/CA Block Diagram

The RDSRF-232-T24FZ-LR-SMA/CA is single board high performance and low power serial to wireless solution. It is a complete plug and play system where the user can connect two boards and start a wireless communication between them instantaneously. The RDSRF-232-T24FZ-LR-SMA/CA can be integrated to existing systems without tedious software or hardware changes. These boards are intended to be used with systems which already have a RS232 interface.

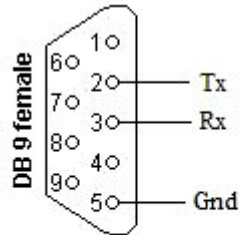
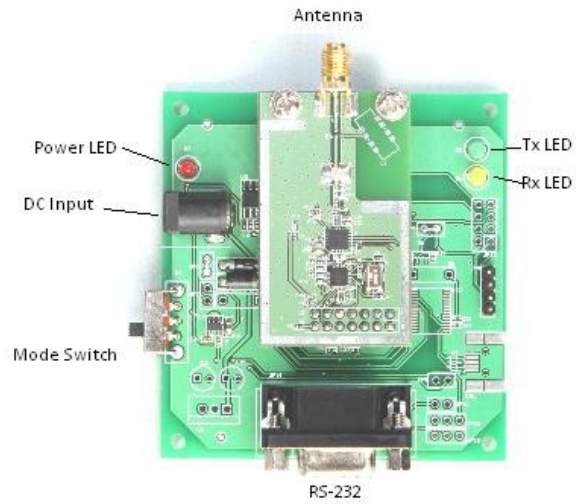
## 2 Features

- Direct RS232 to RF converter with built-in level converter
- Transparent RS232 to antenna solution
- Input voltage 5V DC
- Low Power Consumption
- Standard serial and RF baud rates from 1.4 Kbps to 115.2 Kbps possible
- Long range communication from 100 meters to 1000 meters line of sight
- Software based user configuration of frequency, serial and RF baud rate, output power, addressing etc (available in selected models only)

## 3 Applications

- Direct RS232 wire replacement
- Industrial automation
- Crane control systems
- Textile instrumentation panels
- Instrumentation devices interface
- Digital weighing systems
- Wireless sensor networking
- Remote data logging
- Automated meter reading

## 4 Connection Details



Pins 1,4,6,7,8,9 are not connected

## 5 Theory of operation

The RDSRF-232-T24FZ-LR-SMA/CA operates in two different modes.

- 1) Receive Mode
- 2) Transmit Mode

### 5.1 Receive Mode

This is the default mode of operation after power on. In this mode the RF module will be in the listen mode, ready to receive data over the air and similarly the main controller will be in the wait mode to receive data either from the RF module or from the RS232.

When data is received from RF module the main controller will receive the data and will transfer it through the Tx line of the RS232 connector (ie. the DB-9 connector).

Upon successful reception of data, the Rx LED will blink to acknowledge the reception.

Alternatively if data is received from the RS232 the main controller will receive all the data and will switch the RF module to transmit mode. After this the data is sent over the air.

### 5.2 Transmit mode

The RDSRF-232-T24FZ-LR-SMA/CA will switch to transmit mode only if data is received by the main controller through the RS232 port. And after successful transmission of the entire data the Tx LED will blink and the RDSRF-232-T24FZ-LR-SMA/CA will switch back to receive mode automatically.

## 6 Data handling in RDSRF-232-T24FZ-LR-SMA/CA

The RDSRF-232-T24FZ-LR-SMA/CA can transmit or receive any kind of data whether it is in ASCII or hex or in any other format. It has the capability of handling even user defined protocols. The maximum packet size allowed is 1024 bytes per transmission. A small delay has to be present between two packets. This delay will depend on the serial, RF baud rates and also the packet size. The time delay calculation will be explained in detail in the following section.

## 7 Time Delay Calculations

As discussed in the previous section the maximum allowed packet size in RDSRF-232-T24FZ-LR-SMA/CA is 1024 bytes. And a time delay is required in between two packets.

### 7.1 Example 1:

The serial port settings are

Baud Rate : 9600 bps

Parity : None

Data Bits : 8

Stop Bits : 1

The RF settings are

Baud Rate : 9600 bps

The time delay needed for a packet size of 1024 bytes can be calculated as shown below

Packet size = 1024 bytes

Time taken by the main controller to receive the entire packet =  $(1024 * 10)/9600$ .  
= 1.066 Sec.

The time taken to transmit the entire packet =  $((1024+1024+5)*8)/9600$   
= 1.711 Sec.

Adding both the time we get a total time of =  $1.066+1.711$   
= 2.77 Sec

Adding an extra buffer time of 10% the total time delay between two packets of size 1024 byte will be 3 Sec.



## 7.2 Example 2:

The serial port settings are  
 Baud Rate : 9600 bps  
 Parity : None  
 Data Bits : 8  
 Stop Bits : 1

The RF settings are

Baud Rate : 9600 bps

The time delay needed for a packet size of 255 bytes can be calculated as shown below

Packet size = 255 bytes

Time taken by the main controller to receive the entire packet =  $(255 * 10) / 9600$ .  
 = 0.266 Sec.

The time taken to transmit the entire packet =  $((255+255+5)*8) / 9600$   
 = 0.429 Sec.

Adding both the time we get a total time of =  $0.266+0.429$   
 = 0.695 Sec or 695 ms.

Adding an extra buffer time of 10%, the total time delay between two packets of size 1024 byte will be 0.760 Sec or 760 ms.

## 7.3 General Equation for calculating time delay:

In general the time delay between packets can be calculated using the below equation.

Time delay between packets = Time 1 + Time 2 + (10% of (Time 1 + Time 2))

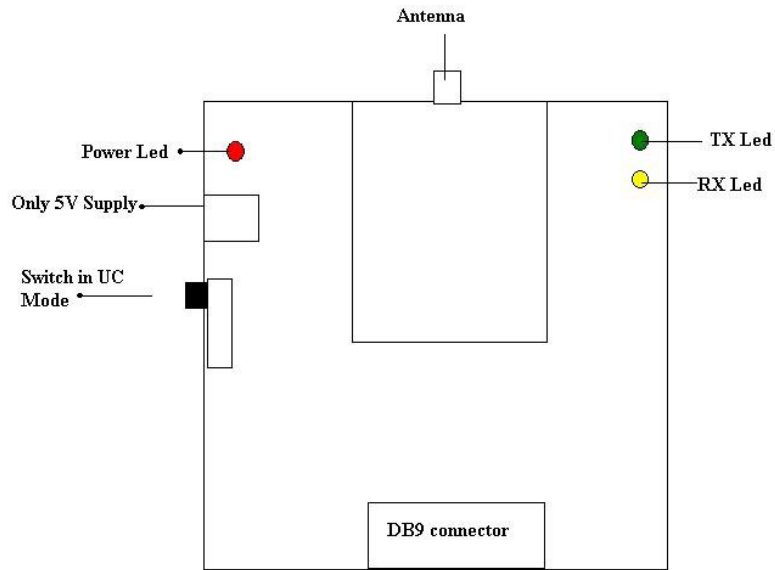
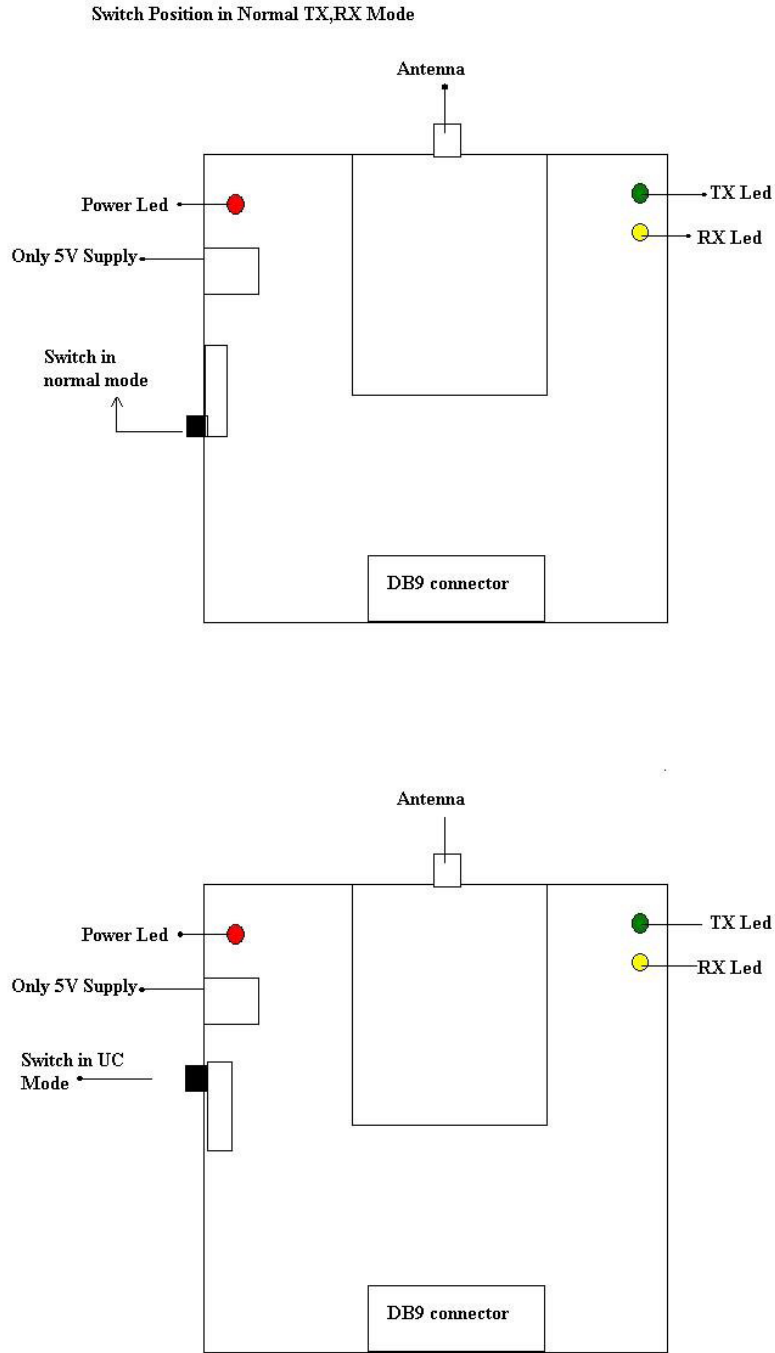
Where

Time 1 = (No. of bytes \* 10) / serial baud rate

And

Time 2 =  $((2 * \text{No. of bytes}) + 5) * 8 / \text{RF Baud rate}$

## 8 User Configuration Mode



*Figure3: Mode settings*

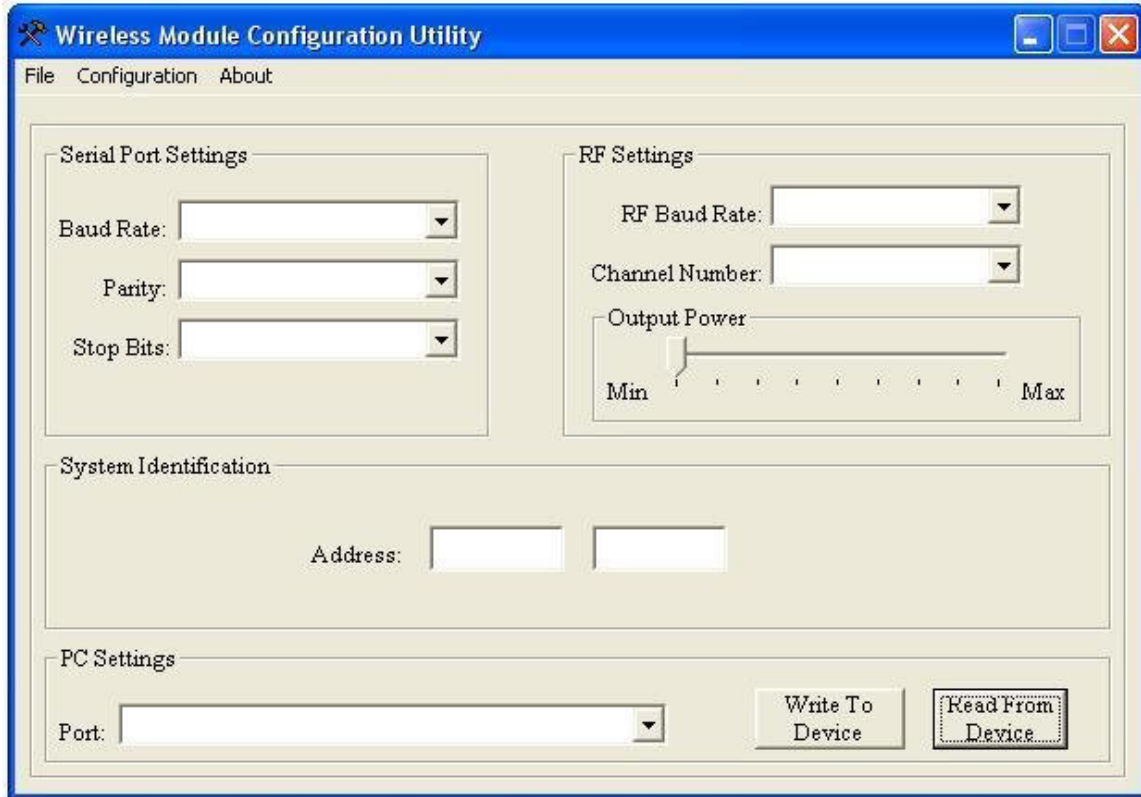


Figure4: Screenshot of Wireless Module Configuration Utility

### Procedure for using the user configuration mode

- 1) Change the RDSRF-232-T24FZ-LR-SMA/CA to configuration mode by changing the switch position as shown in figure1.
- 2) Power on the unit.
- 3) Run the software on a PC having a serial port.
- 4) Select all the settings as mentioned below.
  - a) Serial baud rate  
The Serial baud rate can be varied from 1.2 Kbps to 115.2 Kbps.
  - b) Serial parity  
The Parity can be set to either Even, Odd or None.
  - c) Serial stop bits  
The stop bits can be set to either 1 or 2
  - d) RF baud rate  
The RF baud rate can be set from 1.4 Kbps to 250 Kbps

- e) RF channel  
The RF channel can be varied from channel 0 to channel 18
- f) RF power output  
The RF output can be varied from -5 to +20 dBm.
- g) Address  
This option can be used to set the address of the devices
- h) Select whether the unit behaves as a repeater.
- i) Transmit Termination  
This option can be used to select whether the transmission should start automatically or based on any specific used command.
- j) COM port  
This option is used to select the PC COM port

5) Now use the “Write to Device” button to download the settings to the unit.

6) Upon successful download the message “Programming Successful” is displayed, in case of any error the message “Programming Not Successful Reset the device and try again” will appear. In case of error, power off the unit and repeat from step 1.

**Note:**

Higher RF power output setting and lower RF baud rate setting will result in better communication range.

## 9. Ordering Information

Product part Number	Description
RDSRF-232-T24FZ-LR-SMA	RS232 to RF Module in 2.4 GHz with External Antenna
RDSRF-232-T24FZ-LR-CA	RS232 to RF Module in 2.4 GHz with Internal Antenna

## 10 Electrical Specifications

Parameter	Min	Max	Unit
Vcc – Power Supply	5	5	V
Operating temperature	-40	+85	°C
RF Output Power	-5	+20	dBm
Frequency of operation	2.40	2.5	GHz
Transmit Current @+20 dBm		90	mA
Receive Current		33	mA

## 11 Accessories

The below mentioned accessories are available upon request. The cost of the product does not include these accessories.

### 1) Antenna

The antenna is mandatory for normal operation. The type of antenna can be selected from the wide ranges of antennae available in our website.

**Note: - The device should not be operated without antenna.**

### 2) Power Supply

Power adapters for the unit are available upon request.

### 3) Serial Cable

RS232 Serial cables are provided upon request

Note: - This product comes without a casing.

## 12. Contact Us

### 12.1 Technical Support

Reindeer Technologies Pvt Ltd has built a solid technical support infrastructure so that you can get answers to your questions when you need them.

Our technical support engineers are available Mon-Fri between 9:30 am and 6:00 pm Indian standard time. The best way to reach a technical support engineer is to send an email to [support@reindeersystems.com](mailto:support@reindeersystems.com). E-mail support requests are given priority because we can handle them more efficiently than phone support requests.

### 12.2 Sales Support

Our sales department can be reached via e-mail at [sales@reindeersystems.com](mailto:sales@reindeersystems.com) or by phone at 91-44-45022335/42606907.

Our sales department is available Mon-Fri between 9:30 am and 6:00 pm.

## ***Reindeer Technologies Pvt Ltd***

*Excellence through Innovation*

S-2, Old No. 15, New No. 31  
Rajamannar Street, T Nagar,  
Chennai – 600017  
India.

Phone: 91-44-45022335, 91-44-42606907

Fax: 91-44-28154148

Website: [www.reindeersystems.com](http://www.reindeersystems.com)